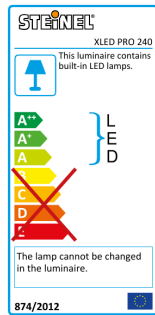









XLED PRO 240

V2 warm white anthracite
EAN 4007841 068066



LED									5 JAHRE HERSTELLER GARANTIE <small>www.steinel.de/garantie</small>
30 years (Ø 4,5h / day)	3000K warm-white	infrared sensor 240°	max. 12 m	IP44	2 - 2000 lux	10 sec - 15 min	networkable via cable	energy saving	manufacturer's warranty steinel-professional.de/garantie

Function description

Day-bright illumination throughout: the XLED PRO 240 sensor-switched outdoor floodlight. With fully swivelling LED flat panel and opal diffuser. 2120 lm, 3000 K, 20 W. With a 240° infrared sensor for reliable motion detection over a reach of up to 12 m. Includes corner wall mount.

Technical specifications

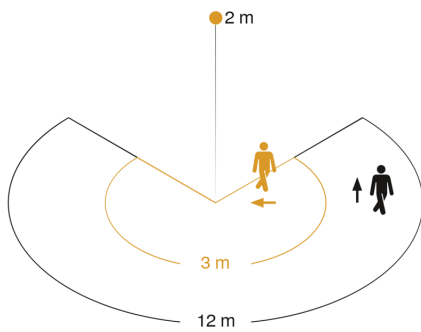
Dimensions (L x W x H)	161 x 180 x 221 mm	Capability of masking out individual segments	Yes
Mains power supply	220 – 240 V / 50 – 60 Hz	Reach, radial	r = 3 m (19 m ²)
Mounting height max.	6,00 m	Reach, tangential	r = 12 m (302 m ²)
Sensor Technology	passive infrared	Photo-cell controller	Yes
Output	20 W	Twilight setting	2 – 2000 lx
Interconnection	Yes	Time setting	10 s – 15 Min.
Switching output 1, resistive	1000 W	Basic light level function	No
Luminous flux	2120 lm	Soft light start	No
Colour temperature	3000 K	Continuous light	selectable
Colour variation LED	SDCM3	Impact resistance	IK03
Colour Rendering Index CRI	80-89	IP-rating	IP44
With lamp	Yes, STEINEL LED system	Protection class	II
Lamp	LED cannot be replaced	Ambient temperature	-20 – 40 °C
LED life expectancy (max. °C)	60000 h	Housing material	HCMC
Drop in luminous flux in accordance with LM80	L70B10	Cover material	Plastic, opal
LED cooling system	HCMC (High Conductive Magnesium Composite)	Manufacturer's Warranty	5 years
With motion detector	Yes	Includes corner wall mount	Yes
Detection angle	240 °	PU1, net weight	0,64 kg
Angle of aperture	180 °	Version	warm white anthracite
Sneak-by guard	Yes	PU1, EAN	4007841068066

XLED PRO 240

V2 warm white anthracite

EAN 4007841 068066

Detection Zone

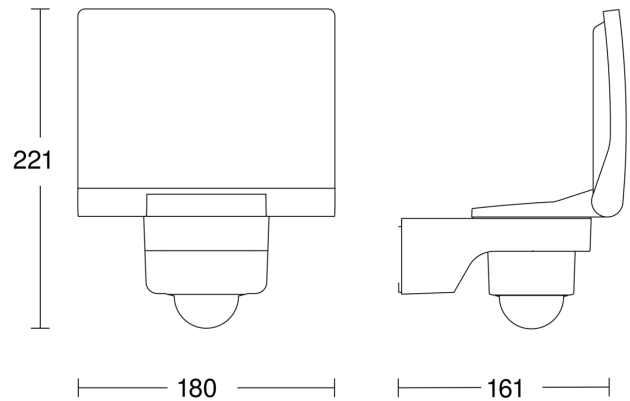


Mögliche Montagehöhe: 1,80 m – 6,00 m

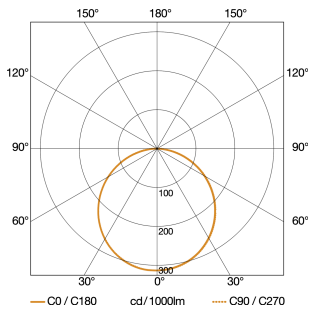
Orange: radial

Schwarz: tangential

Dimension Drawing

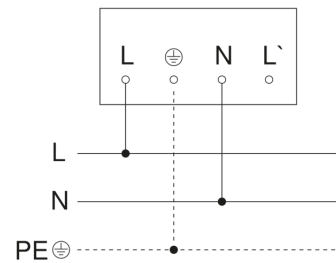


Light Distribution Curve



Output	20 W
With lamp	Yes, STEINEL LED system
Lamp	LED cannot be replaced
Luminous flux	2120 lm
Colour temperature	3000 K
Colour Rendering Index CRI	80-89
LED life expectancy (max. °C)	60000 h
LED cooling system	HCMC (High Conductive Magnesium Composite)

Master circuit diagram

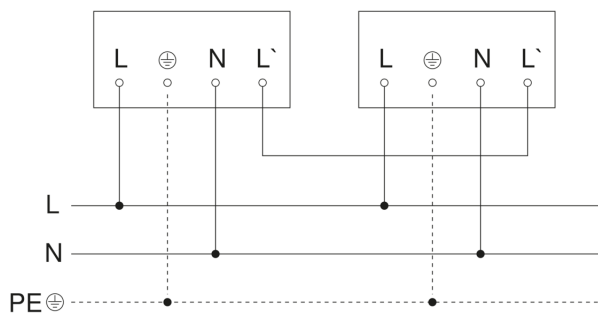


XLED PRO 240

V2 warm white anthracite

EAN 4007841 068066

Master/master interconnection circuit diagram



Master/slave interconnection circuit diagram

